

Side

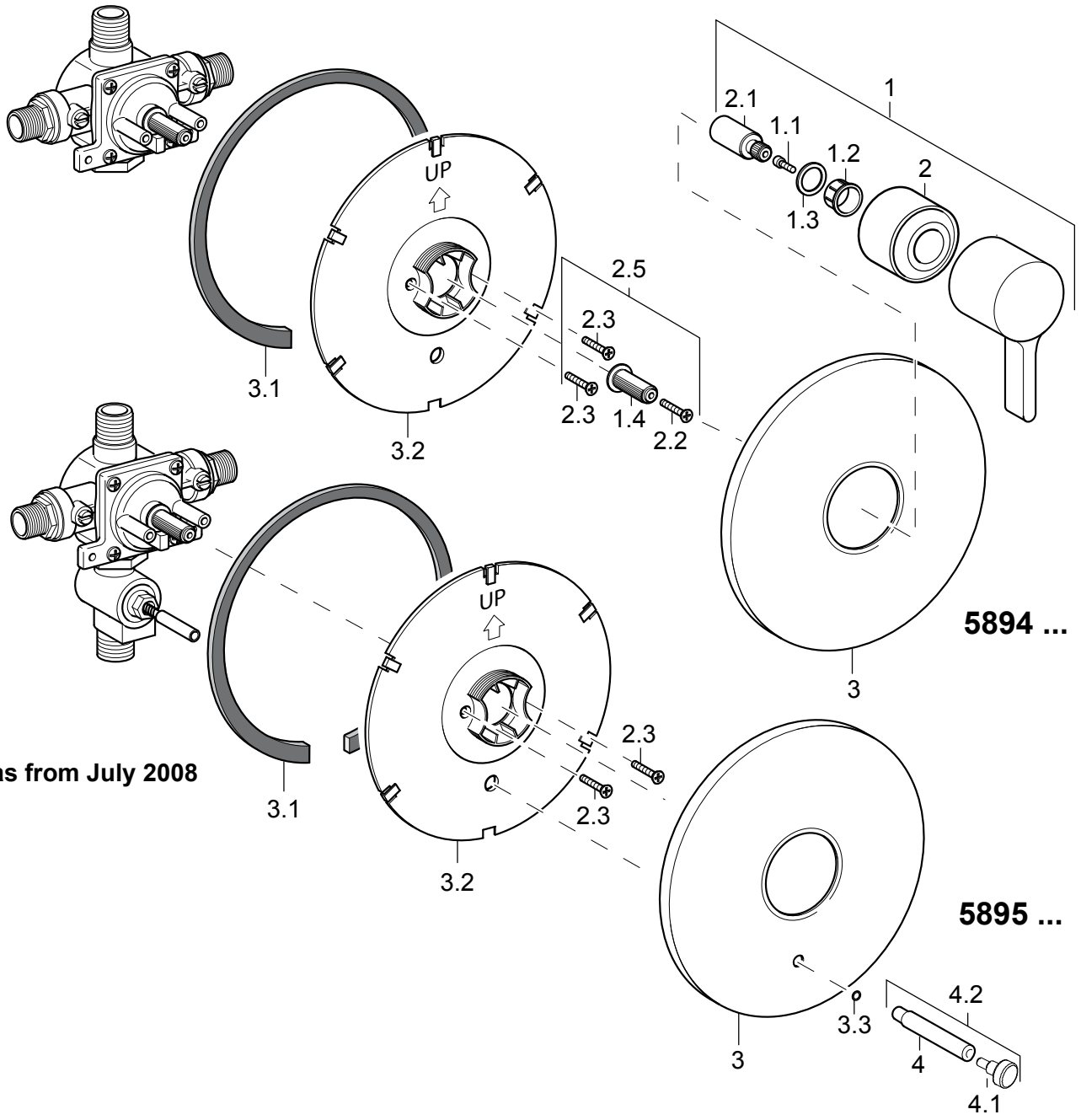
S 04.90.0A



HANSA

Sigmaringer Straße 107
70567 Stuttgart
Postfach 81 02 40
70519 Stuttgart

Telefon: 07 11/16 14-0
Telefax: 07 11/16 14-3 68
www.hansa.de



as from July 2008

5894 ...

5895 ...

Trim kit for pressure balance, HansaForm

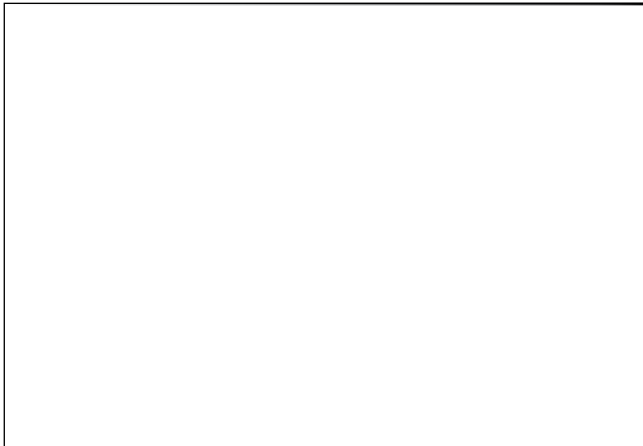
Nr. 5895 9101

Starting in 7/08

Trim kit for pressure balance, HansaForm

Nr. 5894 9101

Starting in 7/08





Sigmaringer Straße 107
70567 Stuttgart
Postfach 81 02 40
70519 Stuttgart

Telefon 07 11/16 14-0
Telefax: 07 11/16 14-3 68
www.hansa.de



HANSA

Side

S 04.90.0A

Trim kit for pressure balance, HansaForm

| | | 5894 . . . | chrome | brushed nickel |
|------|--|-------------------|-------------------|-------------------|
| Pos. | Designation | | 5894 9101 0017 | 5894 9101 3217 |
| 1. | Form handle pressure balance, complete | | 59 913 659 | 59 913 660 |
| 1.1 | Hex screw M 3 x 8 | | 59 913 537 | ← |
| 1.2 | Bushing | | 59 913 535 | ← |
| 1.3 | Spring washer | | | |
| 1.4 | Handle adapter | | 59 913 534 | ← |
| 2. | Form cartridge cover | | | |
| 2.1 | Bar | | | |
| 2.2 | Screw M 3,5 x 30 | | | |
| 2.3 | Screw M 4 x 25 | | | |
| 2.4 | Screw and fixing kit (consists of 2.1, 2.2, 2.3, 3.3) | | | |
| 2.5 | Handle adapter with screw kit (consists of 1.4, 2.2, 2.3) | | 59 913 661 | ← |
| 3. | Form wall escutcheon pressure balance | | 59 913 797 | 59 913 798 |
| 3.1 | Seal 183 x 163 x 2,5 | | 59 913 789 | |
| 3.2 | Escutcheon holder | | 59 913 612 | ← |
| | | | | |
| | | | | |
| | | | | |
| | | | | |
| | | 5895 . . . | | |
| Pos. | Designation | | 5895 9101 0017 | 5889 9101 3217 |
| 1. | Form handle pressure balance, complete | | 59 913 659 | 59 913 660 |
| 1.1 | Hex screw M 3 x 8 | | 59 913 537 | ← |
| 1.2 | Bushing | | 59 913 535 | ← |
| 1.3 | Spring washer | | | |
| 1.4 | Handle adapter | | 59 913 534 | ← |
| 2. | Form cartridge cover | | | |
| 2.1 | Bar | | | |
| 2.2 | Screw M 3,5 x 30 | | | |
| 2.3 | Screw M 4 x 25 | | | |
| 2.4 | Screw and fixing kit (consists of 2.1, 2.2, 2.3, 3.3) | | | |
| 2.5 | Handle adapter with screw kit (consists of 1.4, 2.2, 2.3) | | 59 913 661 | ← |
| 3. | Form wall escutcheon pressure balance with diverter | | 59 913 799 | 59 913 800 |
| 3.1 | Seal 183 x 163 x 2,5 | | 59 913 789 | |
| 3.2 | Escutcheon holder | | 59 913 612 | ← |
| 3.3 | Seal | | | |
| 4. | Lift rod | | 59 913 610 | 59 913 611 |
| 4.1 | Form lift knob pressure balance | | 59 913 615 | 59 913 616 |
| 4.2 | Lift rod with Form lift knob diverter system 46 mm complete as from 2008 | | 59 913 662 | 59 913 663 |
| | | | | |
| | | | | |
| | | | | |
| | | | | |
| | | | | |

● = Ersatzteil auf Extrablatt dargestellt

Angaben unverbindlich, Änderungen vorbehalten